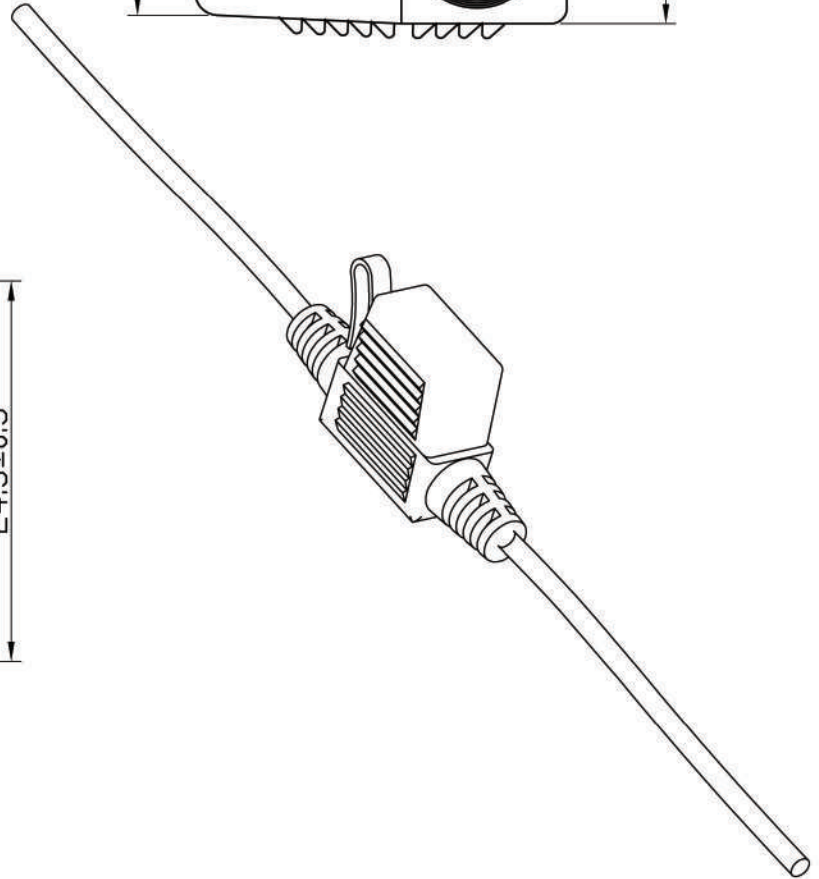
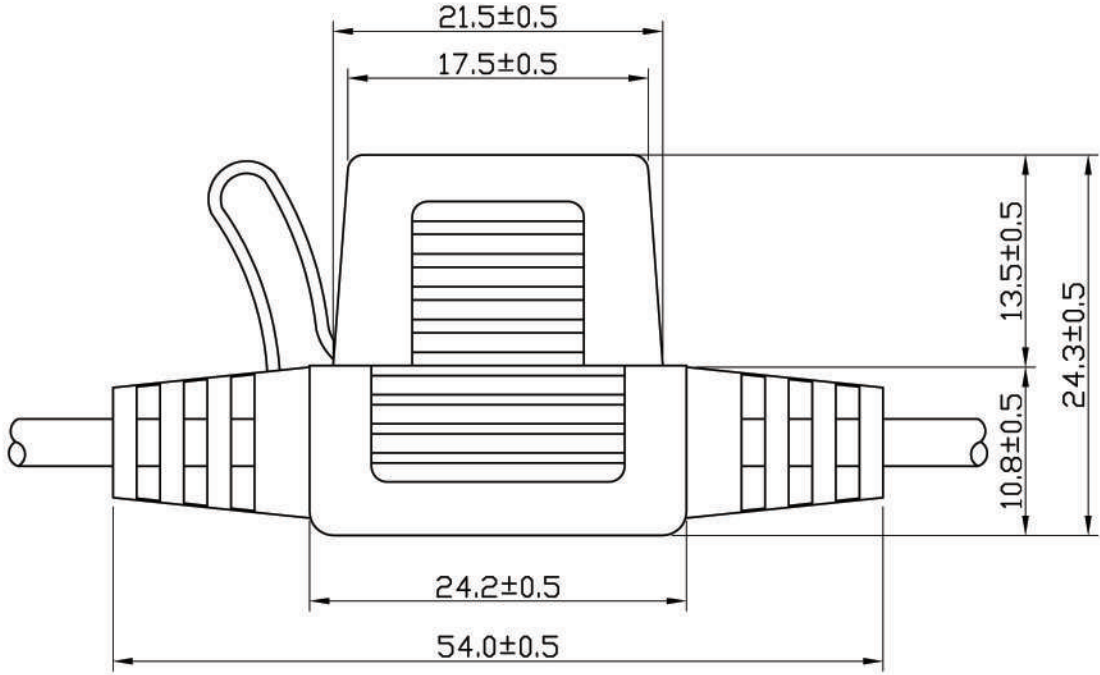
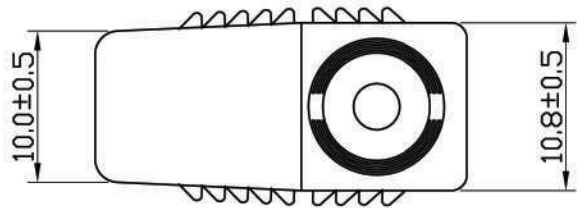
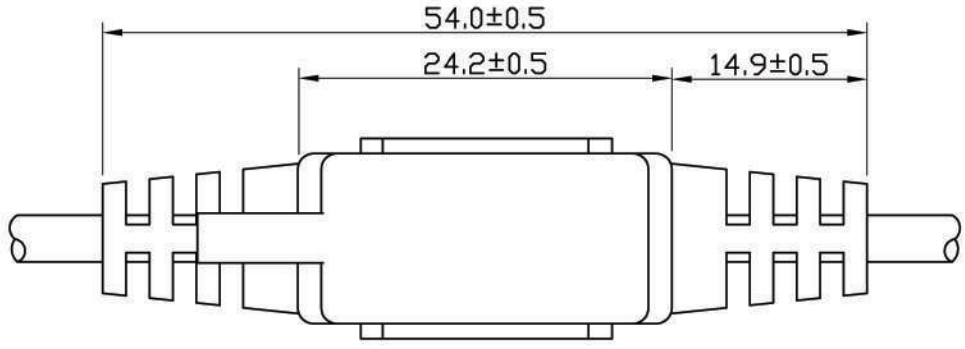


⚠	REV	DESCRIPTION	DATE	E.C.N.
	1.0	Initial Release		



**IN-LINE FUSE HOLDER(ADD CAP)
FOR ATS FUSES**

SPECIFICATIONS:

Electrical: Rated for currents up to 30A

Insulating Body: PVC

Contacts: Brass

Note: available on special order for wire sizes and lengths
Range of wire gauge 12#,14#,16#,18#,20#

UNLESS OTHERWISE SPECIFIED DIMENSIONS ARE IN MM TOLERANCE	
DECIMALES xx ±	ANGULAR ± 1°
xxx ±	
DO NOT SCALE DRAWING	
MATERIAL	
TREATMENT	

CONTRACT NO.	
DRAWN BY	
CHECKED BY	
DESIGNED BY	
DATE:	01/05/04
SCALE	

DONGJIAN TIANRUI ELECTRONIC CO., LTD.	
TITLE	FUSE HOLDER
PART NO.	SL-709CA
DRAWING NO.	BA04010509